

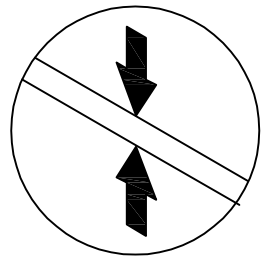
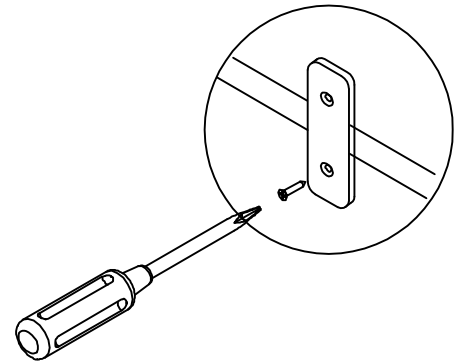
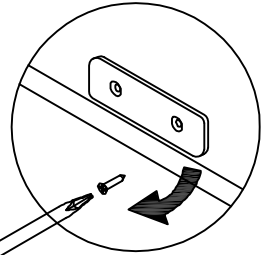
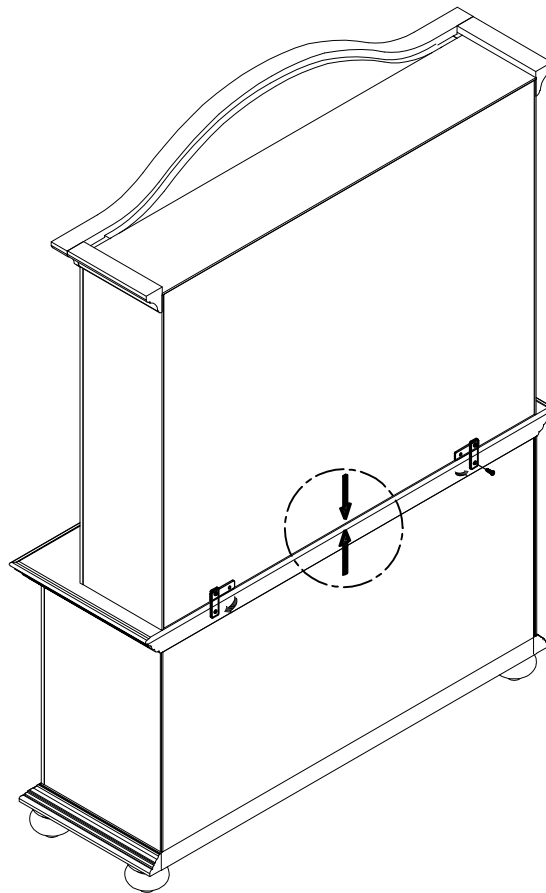
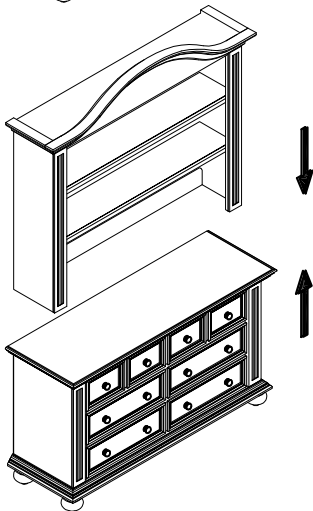
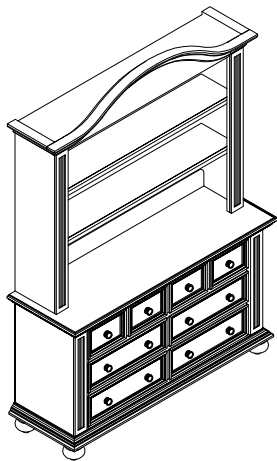
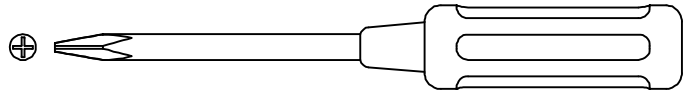
# ASSEMBLY INSTRUCTIONS HUTCH

## HARDWARE

Screw 3/4"(20mm.) (2pcs.)  
( Attached )



Screw Driver ( Not Included )



B. Metal plate already attached at HUTCH behind.  
Pull out 1 screw at each metal plate,  
take around to bottom side,  
attached again screw & back plate to DRESSER.

RED ARROW STICKER  
( ALREADY ATTACHED )

NOTE : YOU CAN APPLY YOUR HUTCH WITH  
"COMBO" OR "DRESSER

A. Put the hutch to the top of case good  
( example : dresser ) in back side.

