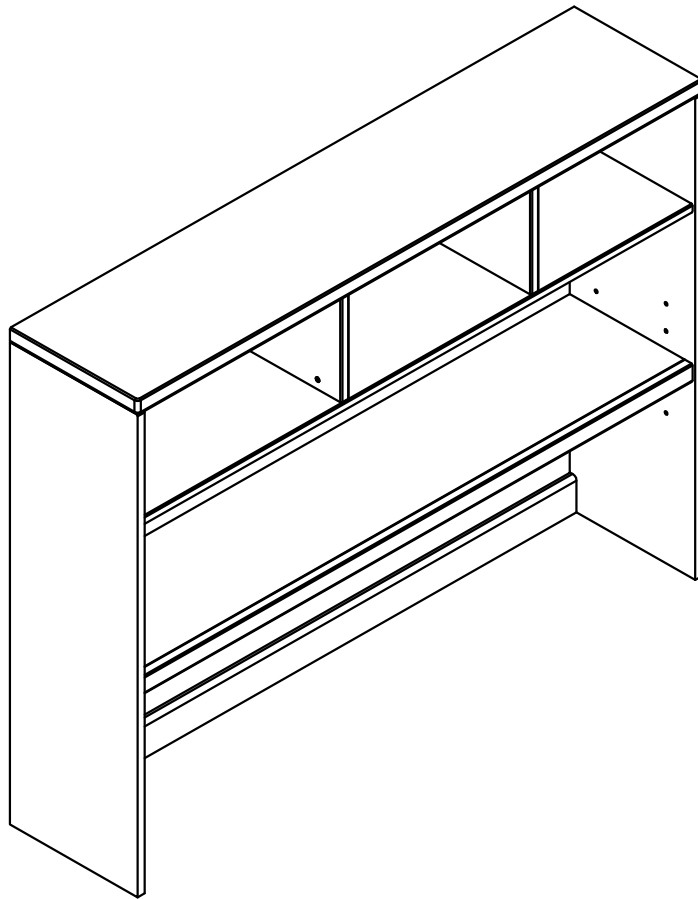


ASSEMBLY INSTRUCTIONS for HUTCH

WYNDHAM
Model # 10418



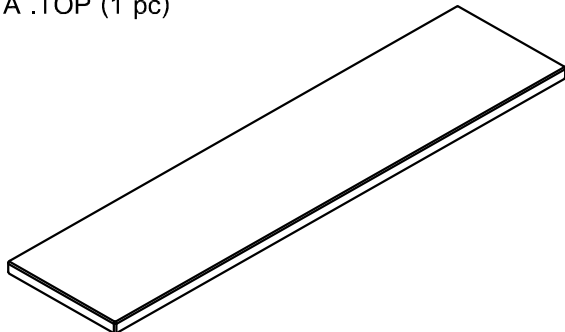
Carefully remove and lay out all parts. Familiarize yourself with all exhibits and diagrams to facilitate the assembly of your Hutch

TOOLS REQUIRED :

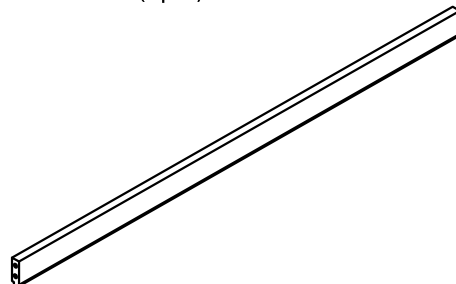
Philip Head Screw driver (unsupplied)

PART ENCLOSED IN CARTON

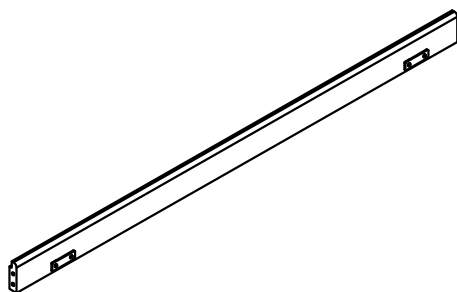
A .TOP (1 pc)



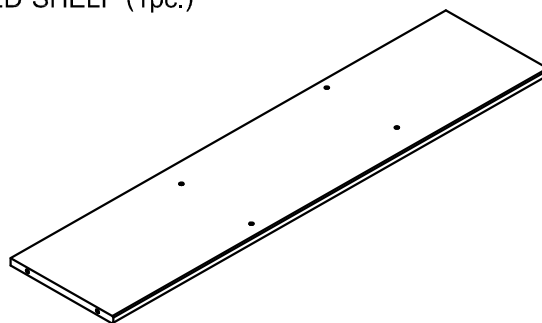
B.BACK FRAME UPPER (1pc.)



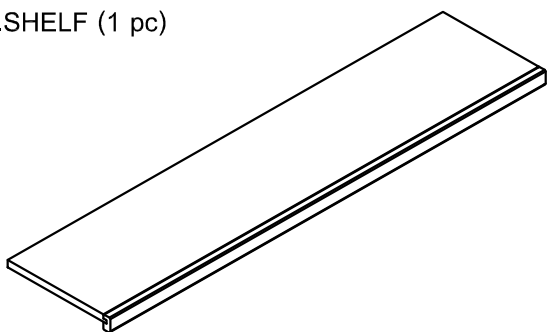
C.BACK FRAME LOWER (1 pc)



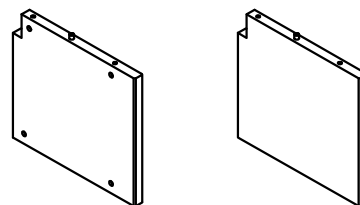
D.FIXED SHELF (1pc.)



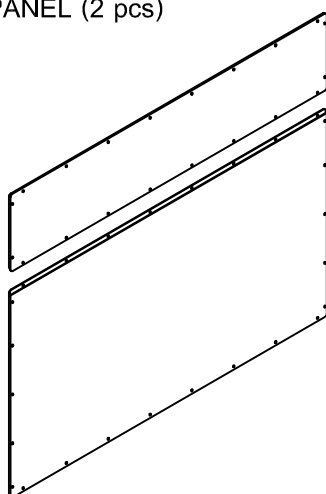
E.SHELF (1 pc)



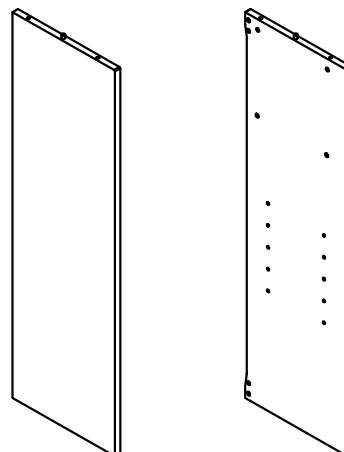
F.VERTICAL PANEL (2 pcs)



G.BACK PANEL (2 pcs)

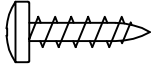


H.SIDE PANEL L-R (2 pcs)

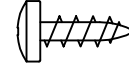


HARDWARE

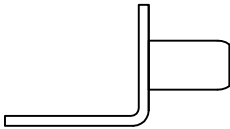
N. Wood Screw 5/8" (15 mm) (38 pcs)



J. Wood Screw 1/2" (12 mm) (4 pcs)



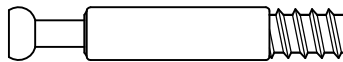
K. Shelf Pegs (4 pcs)



L. Cam Locks 1/2 " (13 mm) (24 pcs)



M. Cam Bolts 1 3/4 " (45 mm) (24 pcs)



Make sure the bolts are tightly locked against the washers during assembly.
(Please add an extra 1/2 revolution to all the bolts when using spring washer after tightening)

STEP 1 " ASSEMBLY OF VERTICAL PANEL "

THIS STEP REQUIRES :

D.FIXED SHELF	(1 pc)	F.VERTICAL PANEL	(2 pcs)
M.Cam Bolt 1 3/4 " (45 mm)	(4 pcs)	L. Cam Lock 1/2 " (13 mm)	(4 pcs)

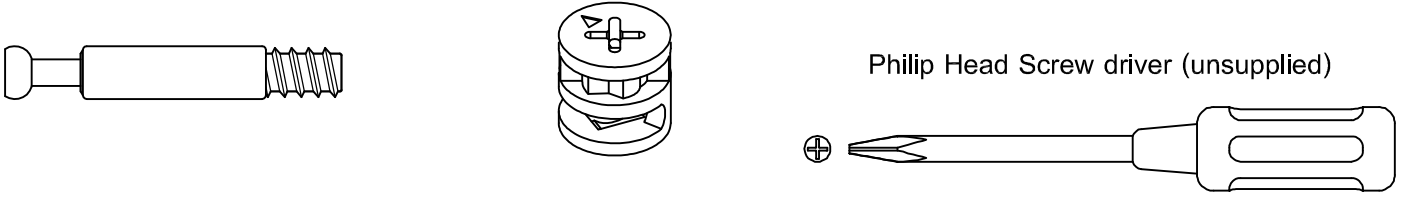
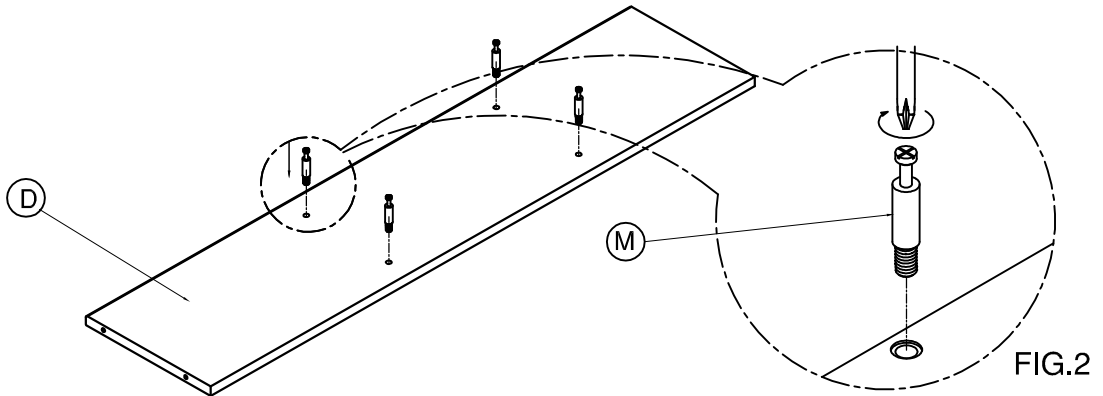


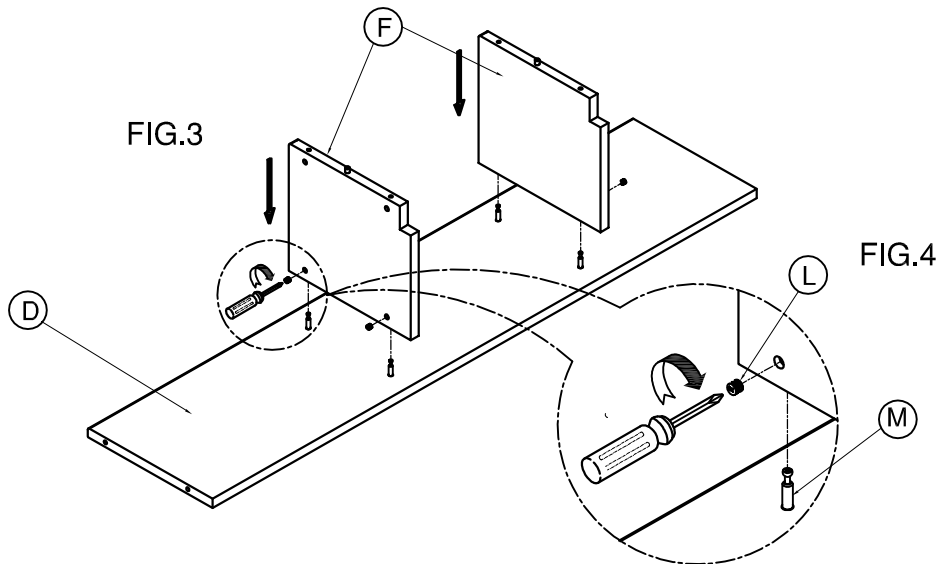
FIG.1



STEP 1.1

- Insert the Cam bolts into the holes in the upper of Fixed Shelf (D) as shown in figure 1.
- Using the Phillip Head Screw Driver, tighten All Cam Bolts (M) as shown in figure 2.

FIG.3



STEP 1.2

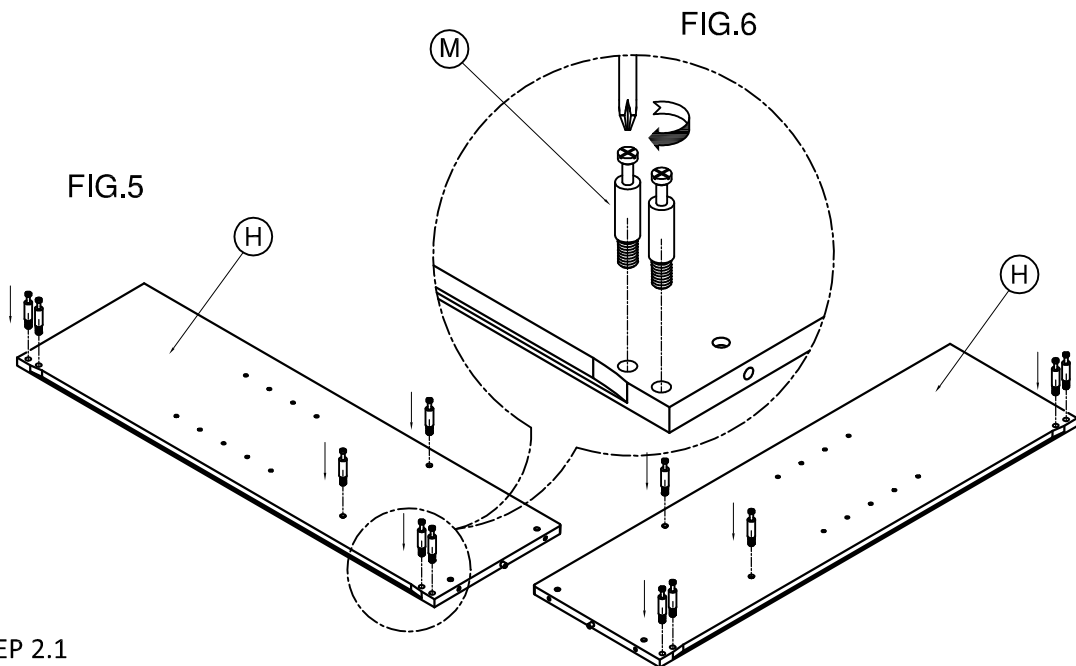
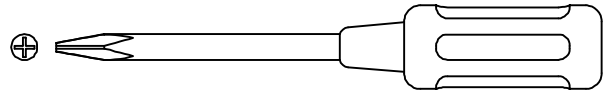
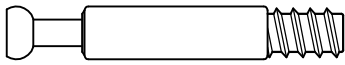
- Place the vertical panel into its appropriate position on the Fixed shelf as shown in figure 3. Ensure all the cam bolts inserted properly into the hole in the vertical panel.
- Insert the 4 (four) Cam Lock (L) into the lower hole on the vertical panel as shown in figure 4.
- Using the Phillip Head Screw Driver, tighten all cam Lock (L) as shown in figure 4.

STEP 2 " ASSEMBLY OF SIDE PANEL, FIXED SHELF AND FRAME "

THIS STEP REQUIRES :

- | | | | | |
|--------------------|-----------------|-------------|---------------|----------|
| H.SIDE PANEL L-R | (2 pcs) | L. Cam Lock | 1/2 " (12 mm) | (12 pcs) |
| D.FIXED SHELF | (1 pc) | | | |
| F.VERTICAL PANEL | (2 pcs) | | | |
| B.BACK FRAME UPPER | (1 pc) | | | |
| C.BACK FRAME LOWER | (1 pc) | | | |
| M.Cam Bolt | 1 3/4 " (45 mm) | | | (12 pcs) |

Philip Head Screw driver (unsupplied)



STEP 2.1

- Insert the Cam bolts into the holes in the inside edge of Side Panel L - R (H) as shown in figure 5.
- Using the Phillip Head Screw Driver, tighten All Cam Bolts (M) as shown in figure 6.

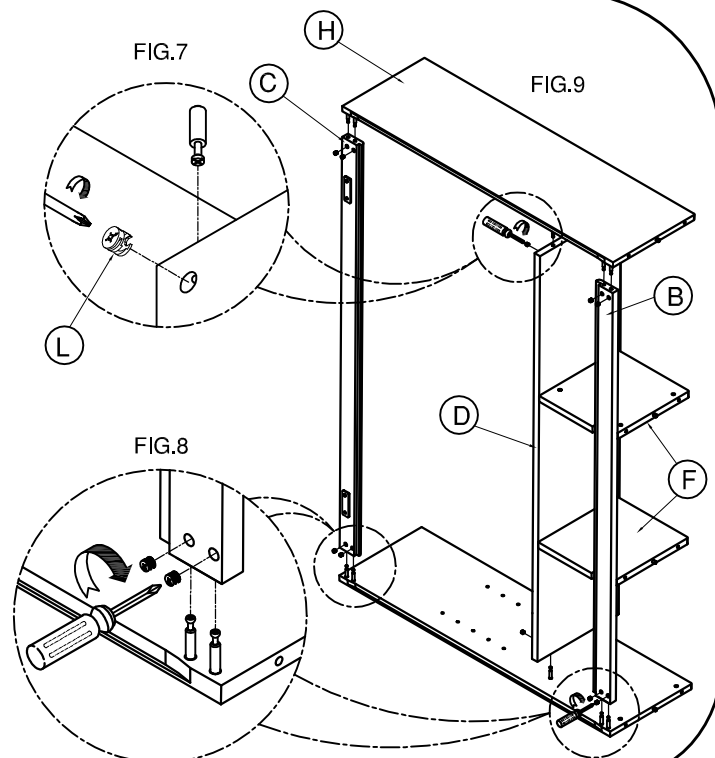
STEP 2.2

- First place the Fixed shelf (D), frame (B) & (C) and side panel (H) into its appropriate position as shown in figure 9. Ensure all the cam bolts inserted properly into its hole position.

- Insert the 4 (four) Cam Lock (L) into holes in the bottom of Fixed shelf (D) as shown in figure 7. Using the Phillip Head Screw Driver tighten all cam Lock (L) as shown in figure 7.

- Insert the 4 (four) Cam Lock (L) into holes in the back upper frame (B) as shown in figure 8. Using the Phillip Head Screw Driver tighten all cam Lock (O) as shown in figure 8.

- Insert the 4 (four) Cam Lock (L) into hole in the back lower frame (C) as shown in figure 8. Using the Phillip Head Screw Driver tighten all cam Lock (L) as shown in figure 8.



STEP 3 " ASSEMBLY OF TOP "

THIS STEP REQUIRES :

A.TOP (1 pc.) L. Cam Lock 1/2 " (13 mm) Phillip Head Screw driver
 M .Cam Bolt 1 3/4 " (45 mm) (8 pcs.) (8 pcs.) (unsupplied)

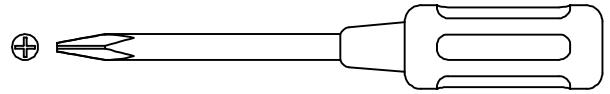
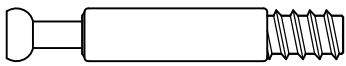
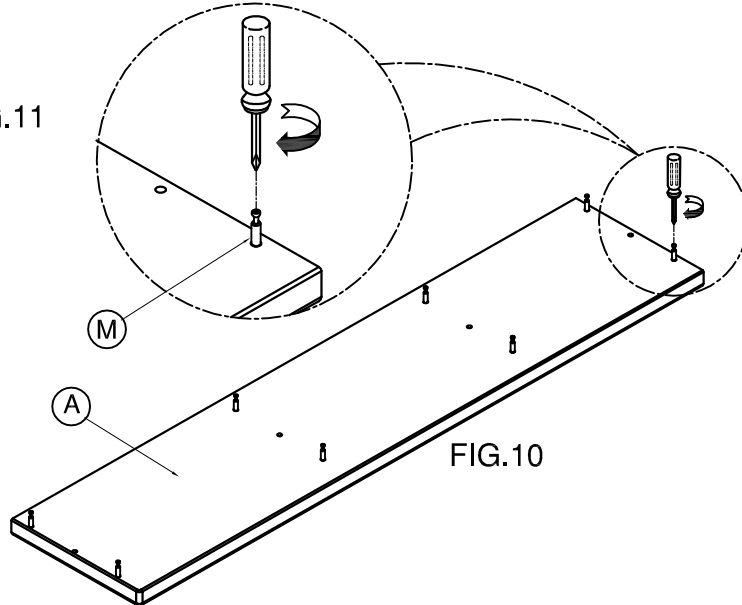


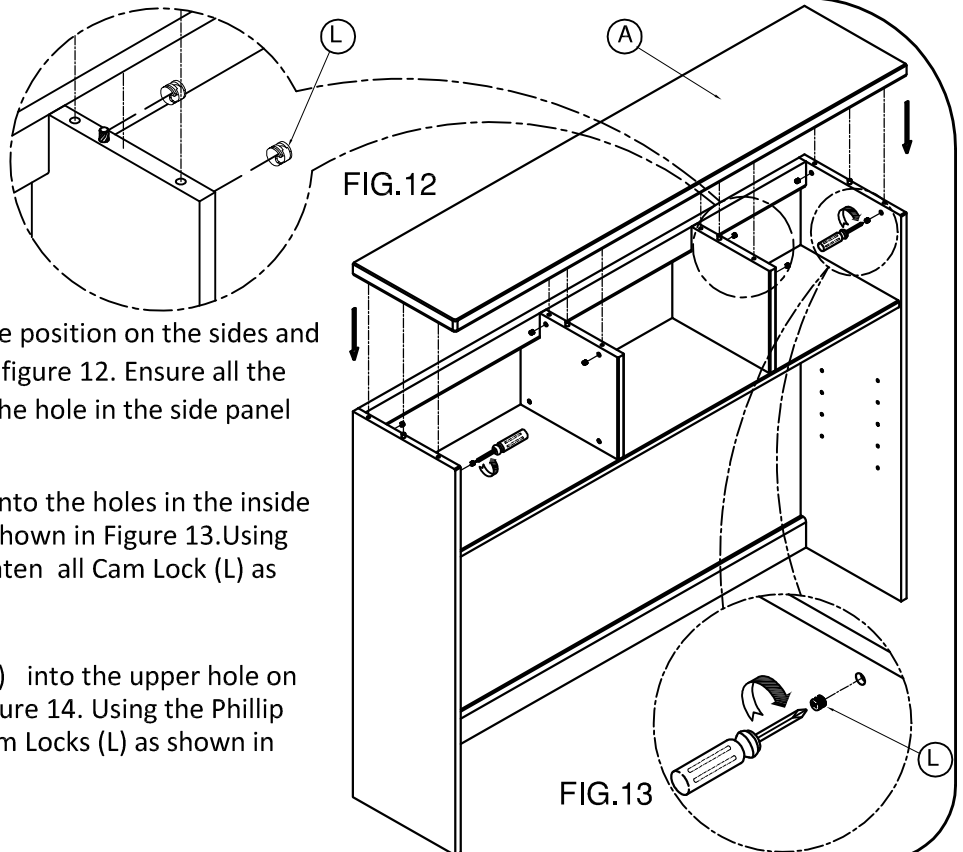
FIG.11



STEP 3.1

- Insert the Cam bolts into the holes of the bottom of Top (A) as shown in figure 10.
- Using the Phillip Head Screw Driver, tighten all Cam Bolt (M) as shown in figure 11.

FIG.14



STEP 3.2

- Place the Top into its appropriate position on the sides and front panel assembly as shown in figure 12. Ensure all the cam bolts inserted properly into the hole in the side panel and vertical panel.
- Insert the 4 (four) cam locks (L) into the holes in the inside edge of the side panel L-R (H) as shown in Figure 13. Using the Phillip Head Screw Driver, tighten all Cam Lock (L) as shown in figure 13.
- Insert the 4 (four) Cam Locks (L) into the upper hole on the Vertical panel as shown in figure 14. Using the Phillip Head Screw Driver, tighten all Cam Locks (L) as shown in figure 14.

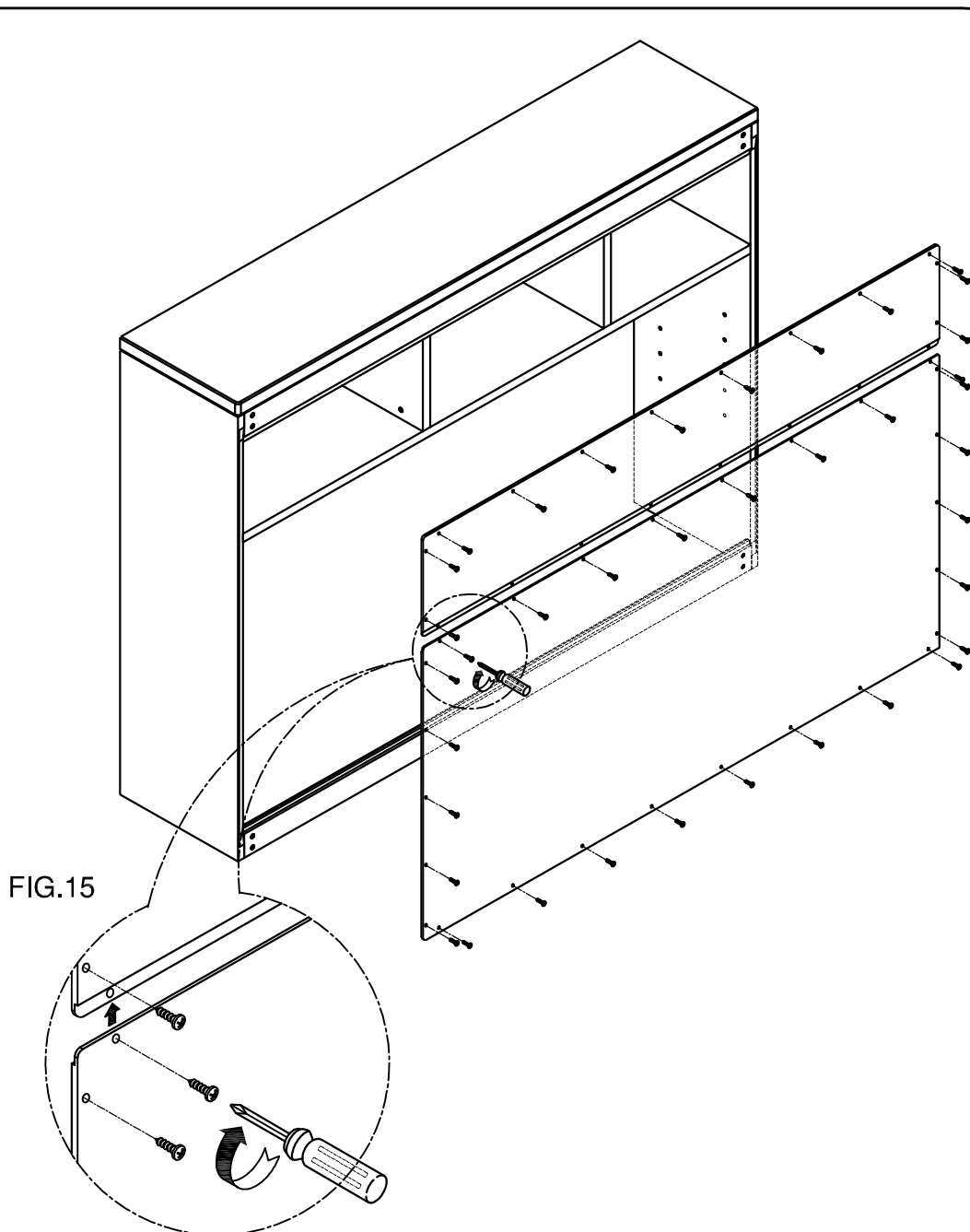
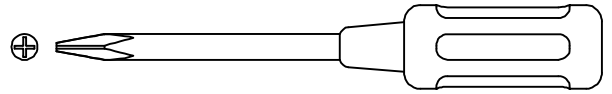
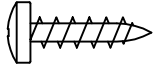
STEP 4 " ASSEMBLY OF BACK PANEL "

THIS STEP REQUIRES :

G.BACK PANEL (2 pcs.)

N. Wood Screw 5/8" (15 mm) (38 pcs)

Phillip Head Screw driver (unsupplied)



A. Using a Phillips head screw driver, attach the Back Panel (G) to the back of the Hutch using the 38 wood screws (N) as shown in figure 15.

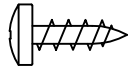
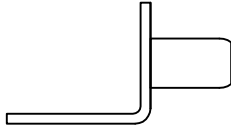
STEP 5 " ASSEMBLY OF ADJUSTABLE SHELF "

THIS STEP REQUIRES :

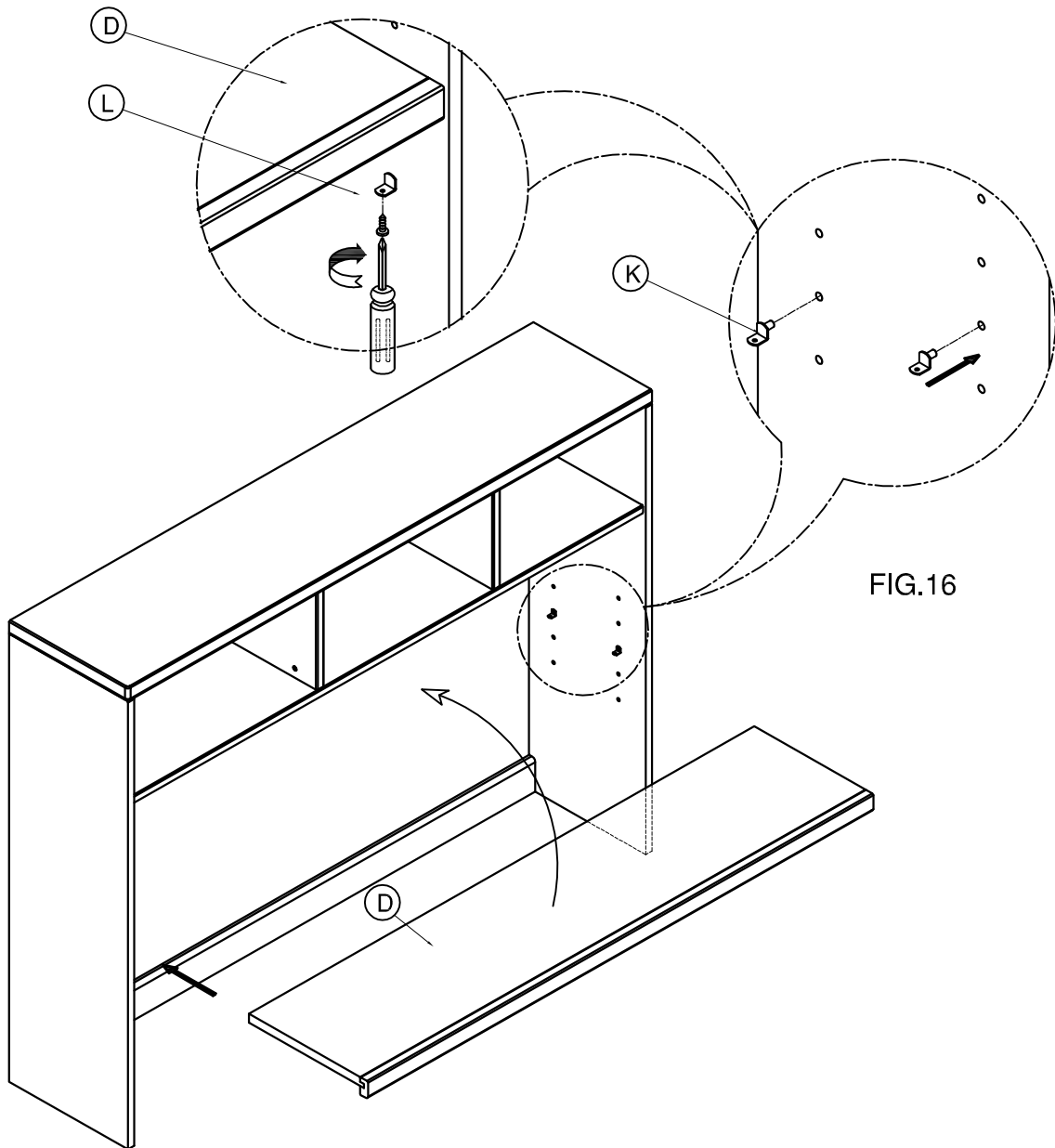
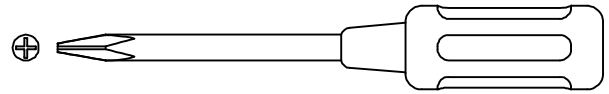
E.SHELF (1 pc.)

J. Wood Screw 1/2" (12 mm)
(4 pcs)

K.Shelf Pegs (4 pcs)



Philip Head Screw driver (unsupplied)



- A. Choose a desired shelf height position and insert the shelf pegs as shown in Figure 16.
- B. Put the adjustable shelf (E) onto the shelf pegs.
- C. Using a Phillip head screw driver, secure the shelf pegs (K) using wood screws (J).