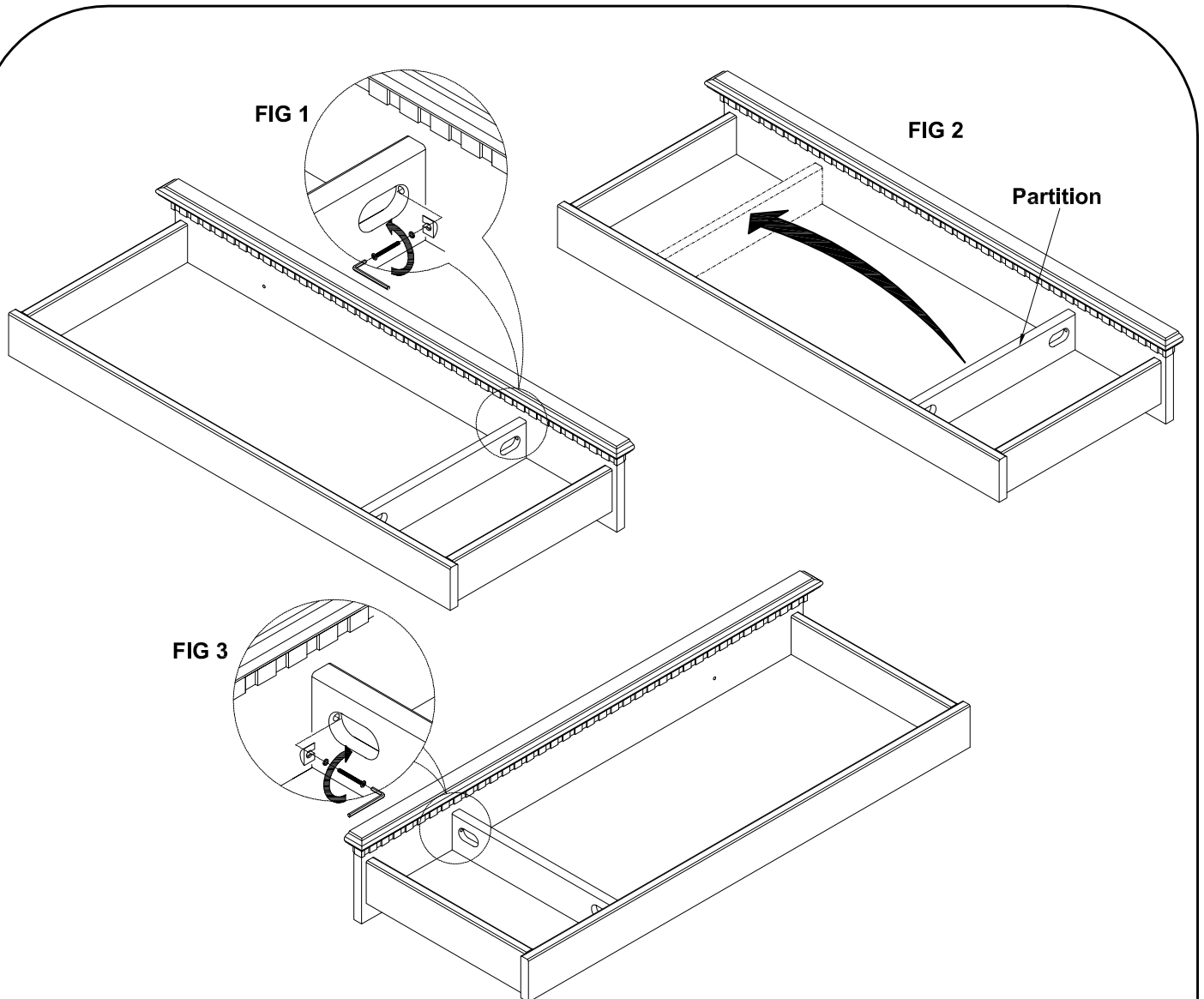


"ASSEMBLY INSTRUCTIONS FOR CHANGING PLACEMENT OF PARTITION "

THIS STEP REQUIRES :

Allen Key (supplied)



- Release 2 bolts, washers and curve plastic washers from inside of partition with allenkey as shown in FIG 1.
- Remove the partition to the other side as shown in FIG 2.
- Tighten 2 bolts, washers and curve plastic washers with Allen key as shown in FIG 3.

NOTE : - THE PARTITION MUST BE ATTACHED DURING USE
- CHANGING STATION MIGHT BE DIFFERENT THAN THE PICTURE