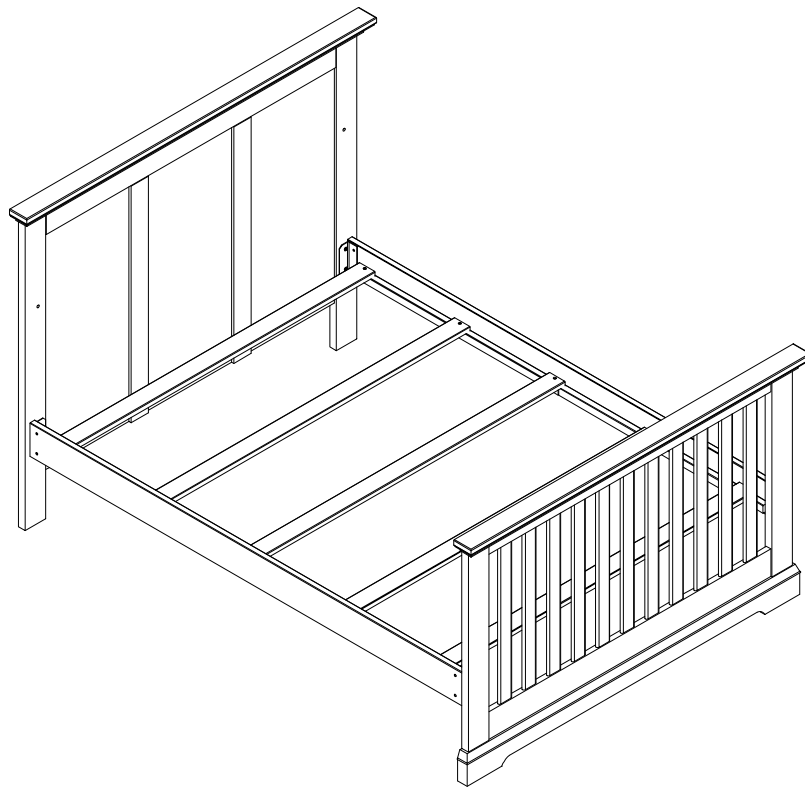


# ASSEMBLY INSTRUCTIONS

## Conversion Kit

### JACKSON

Model # 10770



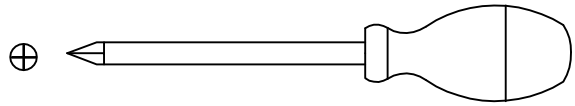
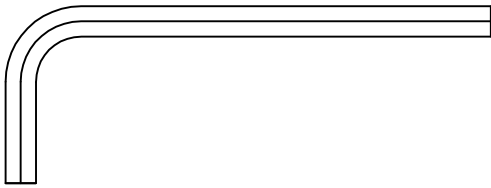
" RECOMMENDATION: We recommend the use of a Bunkie Board or box spring under a mattress for this conversion kit."

Carefully remove and lay out all parts. Familiarize yourself with all exhibits and diagrams to facilitate the assembly of your crib

**TOOLS REQUIRED :**

Allenkey (supplied)

Screw Driver (Unsupplied)

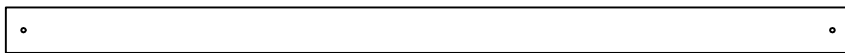


**PART ENCLOSED IN CARTON**

A. Rails (2 pcs)



B. Slat (5 pcs)

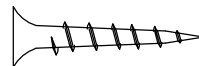


**HARDWARE**

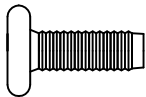
C. Allenbolt 1" (25 mm) (4 pcs)



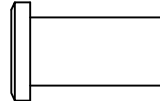
G. Screw 1" (25 mm) (10 pcs)



D. Allenbolt 5/8" (15 mm) (4 pcs)



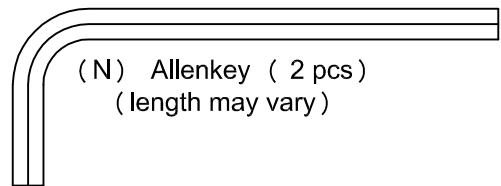
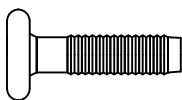
L. Nut 3/4" (20 mm) (6 pcs)



W. Spring Washer (8 pcs)



P. Allenbolt 3/4" (20 mm) (2 pcs)



(N) Allenkey (2 pcs)  
(length may vary)

Make sure the bolts are tightly locked against the washers during assembly.  
( Please add an extra 1/2 revolution to all the bolts when using spring washer after tightening)

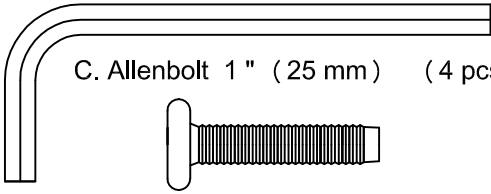
# STEP 1 " ASSEMBLY OF HEAD BOARD "

## THIS STEP REQUIRES :

Headboard ( 1 pc )

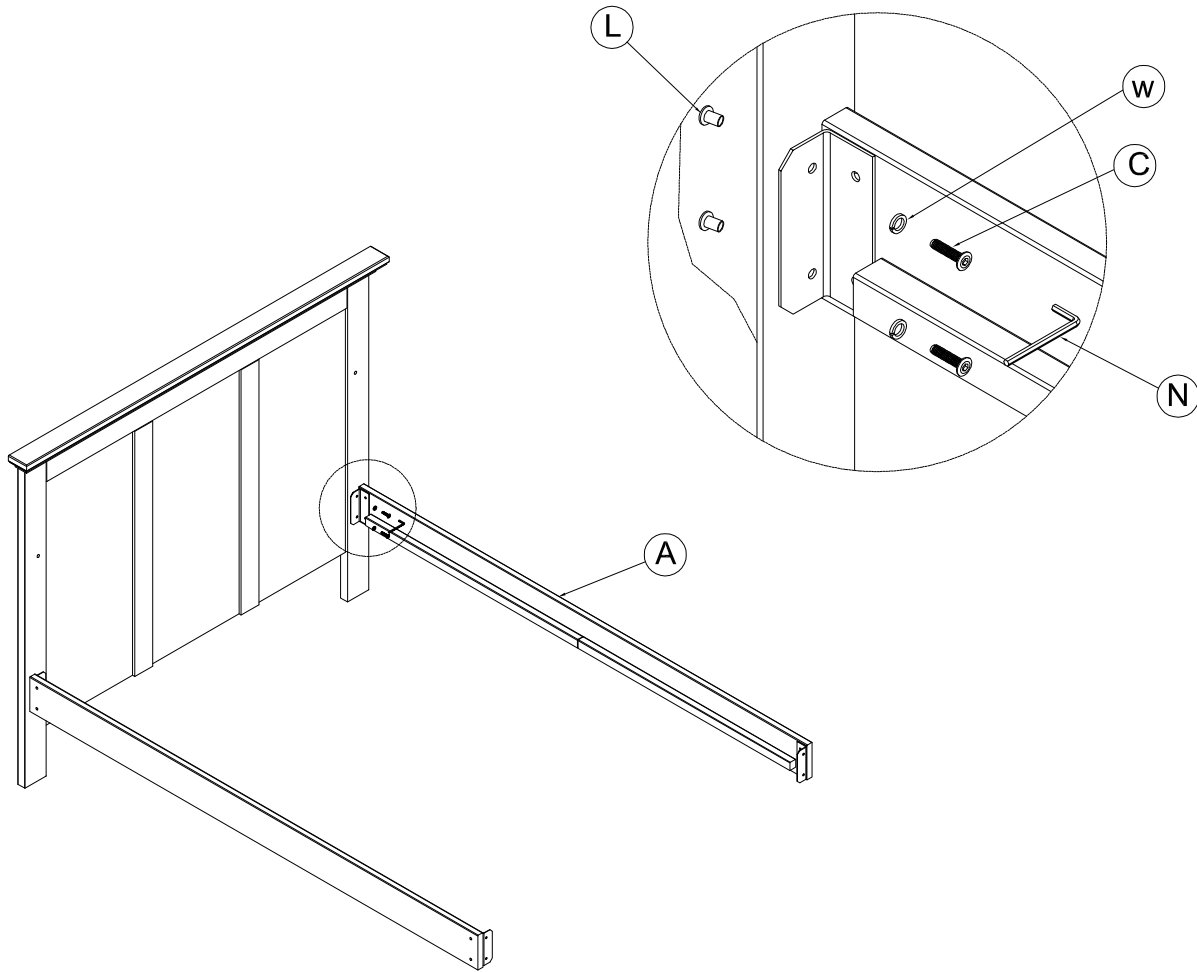
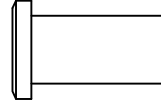
A. Rails ( 2 pcs )

N. Allenkey ( 2 pcs )



C. Allenbolt 1 " ( 25 mm ) ( 4 pcs )

W. Spring Washer ( 4 pcs ) L. Nut 3/4" ( 20 mm ) ( 4 pcs )



- Insert Allenbolt 1 " ( 25 mm ) ( C ) with spring washer ( W ) through the metal bracket holes in the end of side rail through the top & bottom holes in headboard and connect with nut 3/4" ( 20 mm ) ( L ) .  
Hand tighten only

## STEP 2 " ASSEMBLY OF FOOTBOARD "

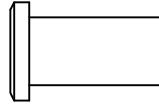
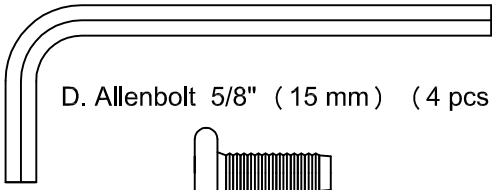
### THIS STEP REQUIRES :

Footboard ( 1 pc)

N. Allenkey ( 2 pcs)

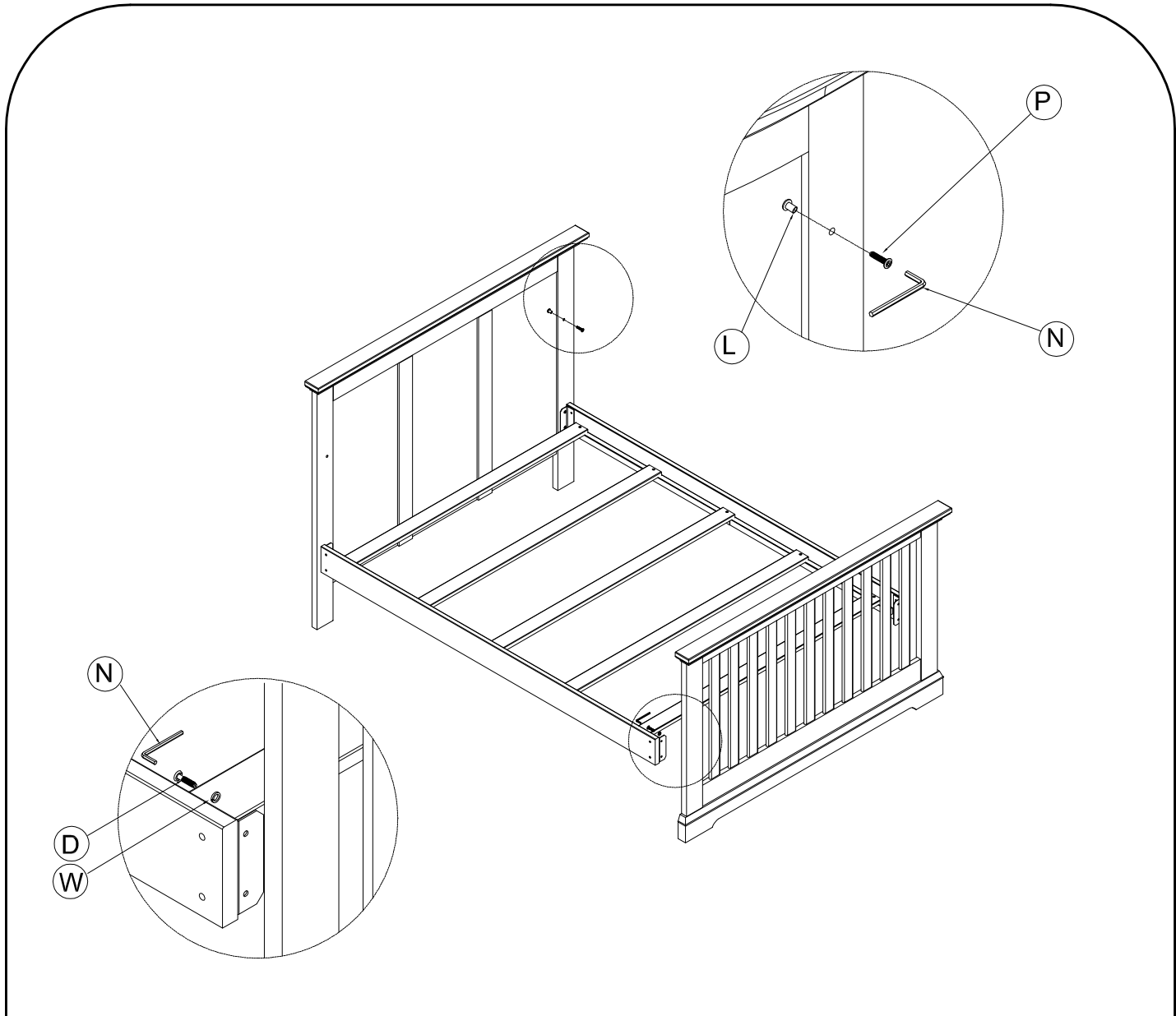
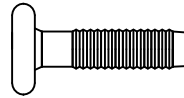
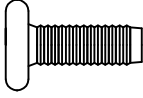
L. Nut 3/4" ( 20 mm ) ( 2 pcs)

W. Spring Washer ( 4 pcs)



D. Allenbolt 5/8" ( 15 mm ) ( 4 pcs)

P. Allenbolt 3/4" ( 20 mm ) ( 2 pcs)



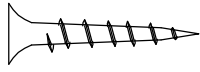
- Insert Allenbolt 5/8" ( 15 mm ) ( D ) with spring washer ( W ) through the metal bracket holes in the end of side rail through the threaded holes in the footboard.
- Tighten all bolts with allenkey ( N )
- Insert Allenbolt 3/4" ( 20 mm ) ( P ) ,through the top hole in the headboard from the inside and connect with nut 3/4" ( 20 mm ) ( L ) .
- Tighten all bolts and nuts with allenkey ( N ) .

## STEP 3 " ASSEMBLY OF SLATS "

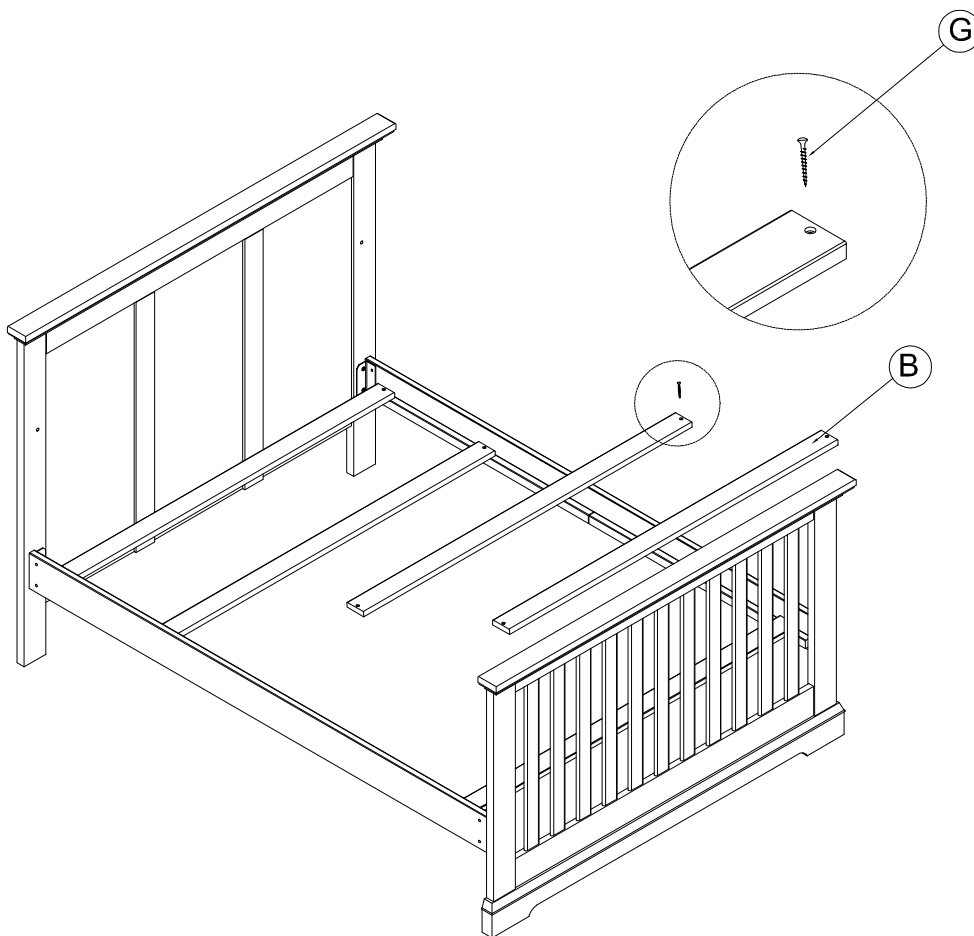
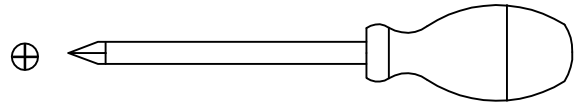
### THIS STEP REQUIRES :

B. Slats ( 5 pcs)

G. Screw 1" ( 25 mm ) ( 10 pcs )



Screw Driver  
( Unsupplied )



- Install 5 pcs of slats ( B ) to the 2 pcs of side rail above the pre drilling holes.
- Insert 10 pcs of screw 1 " ( 25 mm ) ( G ) screws into the slats holes through side rail pre drilling holes. Hand tighten only
- After all 10 pcs of screw inserted, fasten with screw driver.