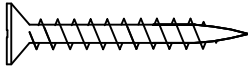


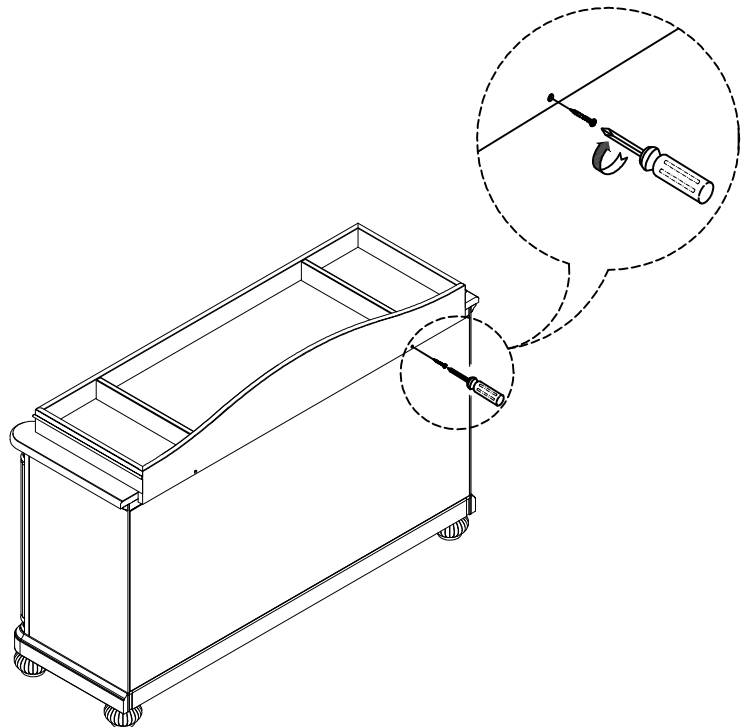
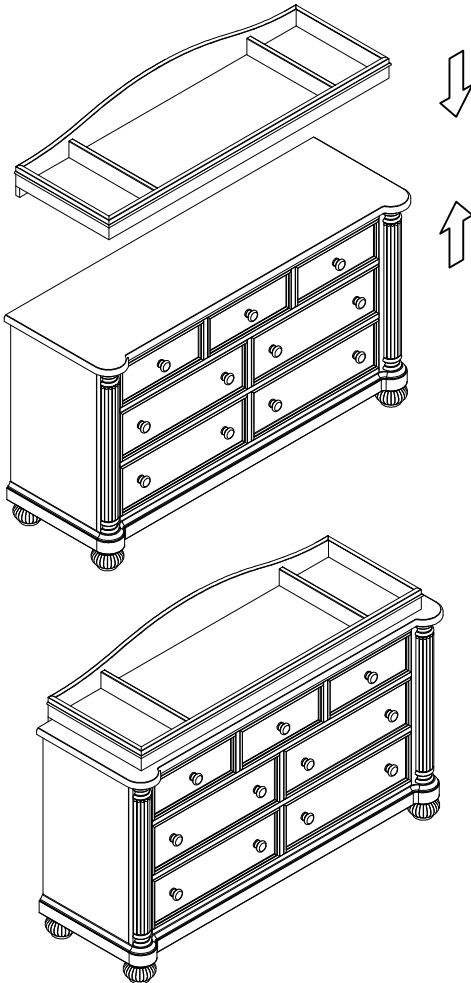
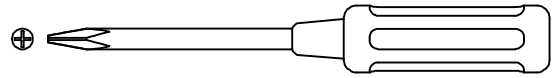
# ASSEMBLY INSTRUCTIONS CHANGING STATION

## HARDWARE

Screw 1 1/4" (30 mm) (2 pcs)



Screw Driver (Not included)



A. Place the changing station on the top of the Combo or Dresser. The holes in back side should be below the Combo or Dresser top surface. (see diagram).

B. Insert the screws into the back of the changing station and combo or dresser, tighten with Phillip Head Screw driver. Check to see that the Changing Station is secure.

**KINGSLEY**

NOTE : - ATTACH CHANGING STATION TO COMBO OR DRESSER.  
- COMBO OR DRESSER MIGHT BE DIFFERENT THAN THE PICTURE .