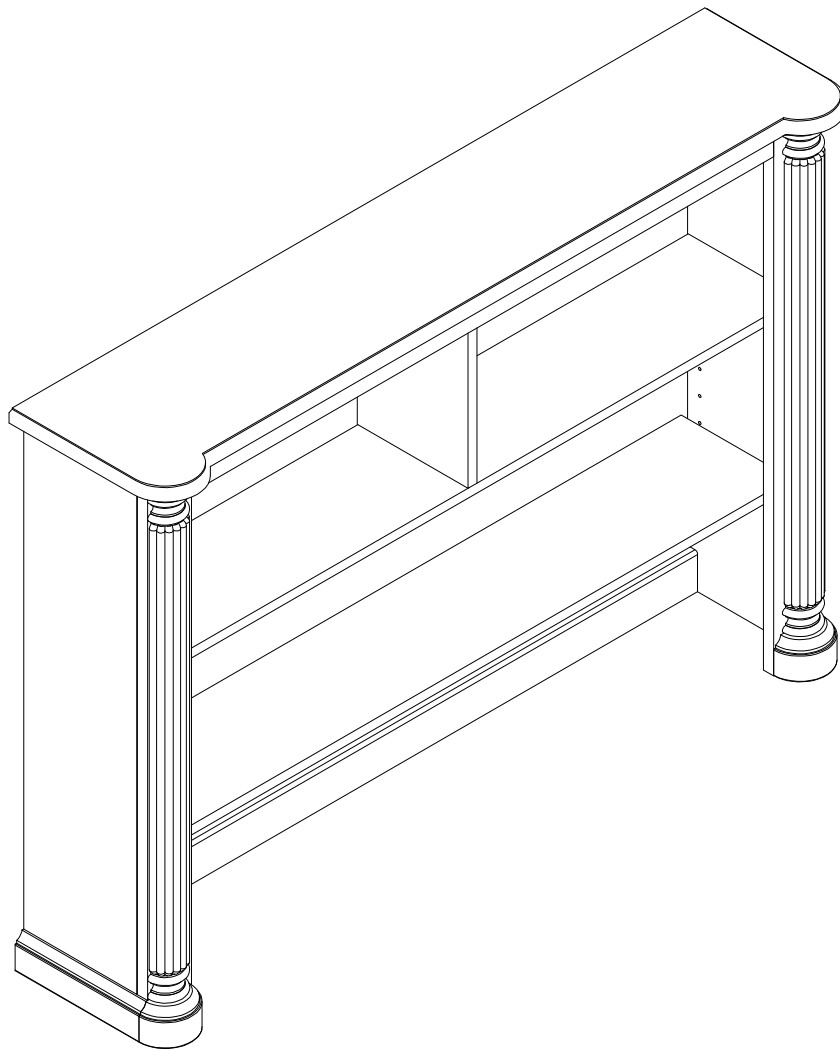


ASSEMBLY INSTRUCTIONS
for HUTCH
CHARLESTON
Model # 11818



KINGSLEY

Carefully remove and lay out all parts. Familiarize yourself with all exhibits and diagrams to facilitate the assembly of your Hutch

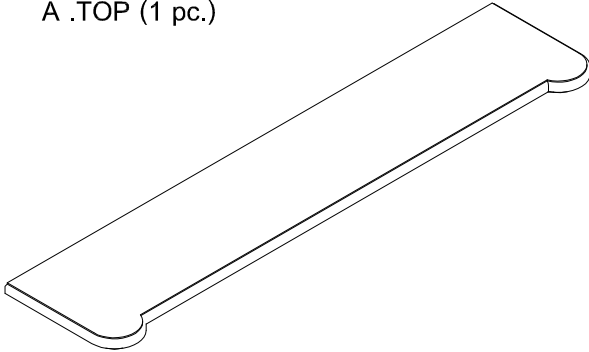
TOOLS REQUIRED :

Allenkey (supplied)

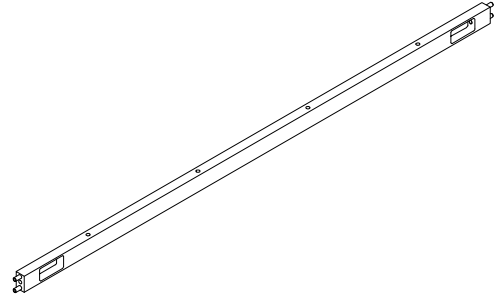
Philip Head Screw driver (unsupplied)

PART ENCLOSED IN CARTON

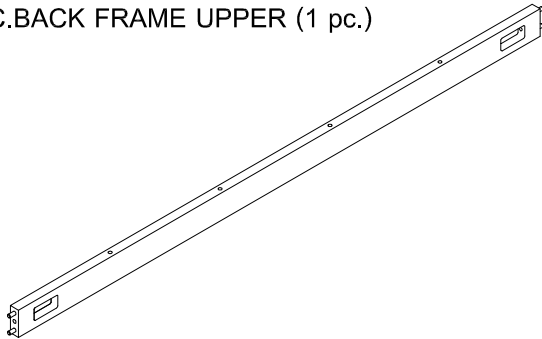
A .TOP (1 pc.)



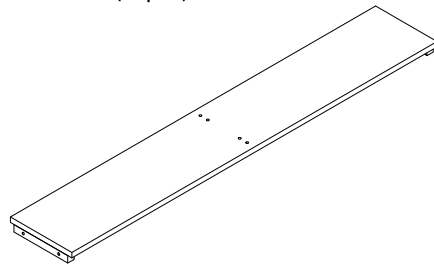
B.FRONT FRAME UPPER (1 pc.)



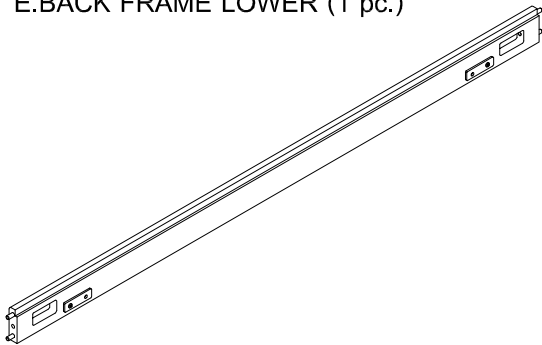
C.BACK FRAME UPPER (1 pc.)



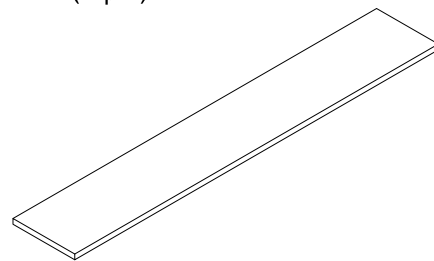
D.FIX SHELF (1 pc.)



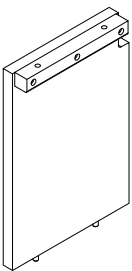
E.BACK FRAME LOWER (1 pc.)



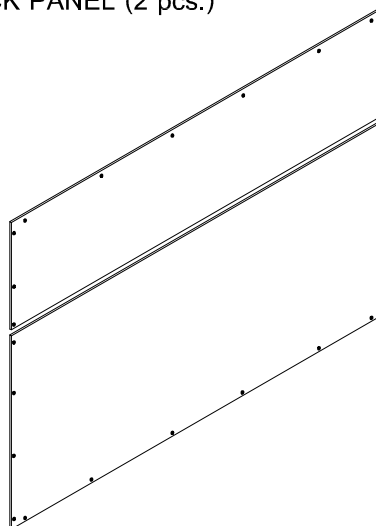
F. SHELF (1 pc.)



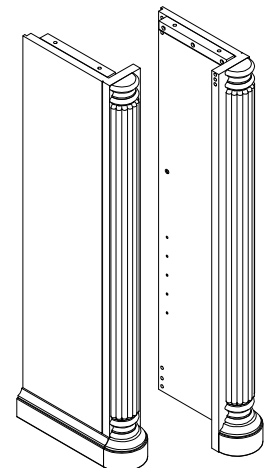
G.VERTICAL PANEL (1 pc.)



H.BACK PANEL (2 pcs.)



J.SIDE PANEL L-R (2 pcs.)



HARDWARE

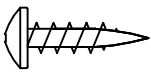
K. Allen Bolt 1 3/4" (45 mm) (14 pcs.)



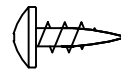
L. Allen Bolt 1 1/4" (30 mm) (12 pcs.)



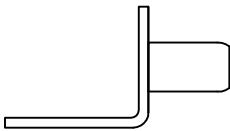
M. Wood Screw 5/8" (15 mm) (32 pcs.)



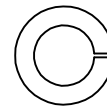
N. Wood Screw 1/2" (12 mm) (4 pcs.)



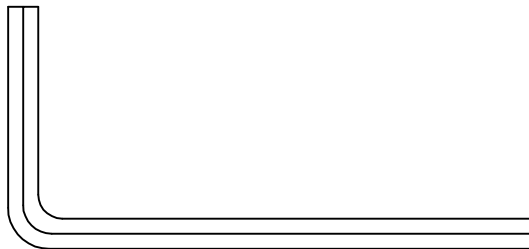
P. ADJUST SHELF (4 pcs.)



W. Spring Washer (26 pcs.)



R. Allen Key (1 pc.)



Make sure the bolts are tightly locked against the washers during assembly.
(Please add an extra 1/2 revolution to all the bolts when using spring washer after tightening)